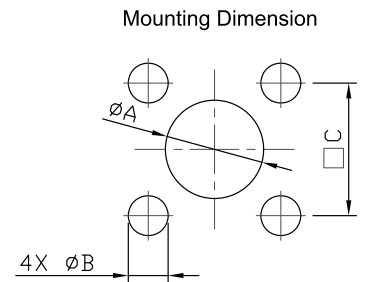
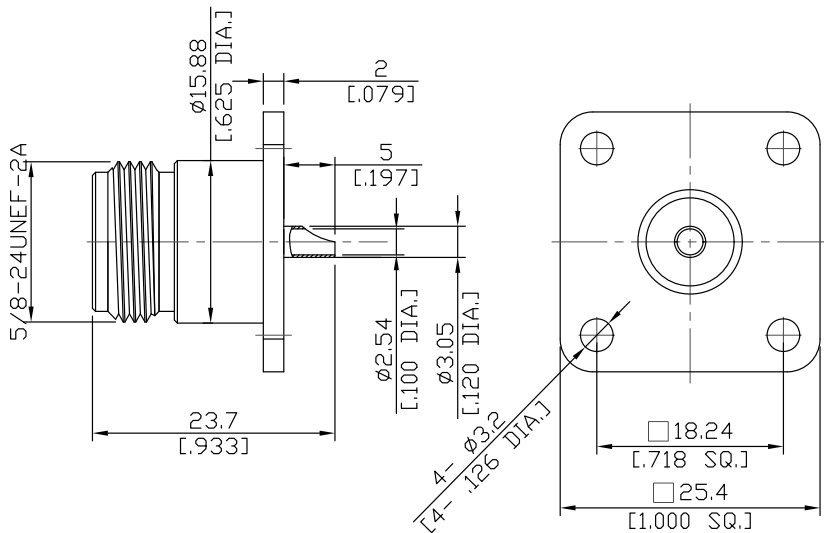


N Jack (Female) Connector, Solder Attachment, 4-Hole Flange Mount, Solder Cup Terminal, 18.24 mm (.718 in) Hole Spacing, DC-11 GHz, VSWR 1.30

## N2GFB50-2370A / 94



		mm		inch	
		Max.	Min.	Max.	Min.
A	Front	16.3	16.1	.642	.634
	Rear	15.1	14.9	.594	.587
B		3.30	3.20	.130	.126
C		18.35	18.15	.722	.715

All dimensions are in mm [inch]  
Tolerances according to DIN ISO 2768-mH

### Interface

According to IEC 60169-16; MIL-STD-348B/304; CECC 22210; MIL-PRF-39012

### Electrical Data

Impedance	50 Ω	
Frequency	DC to 11 GHz	
VSWR (Return Loss)	≤ 1.30 (≥ 20.83 dB)	
Insertion Loss	≤ 0.015 × √F (GHz) dB	
Insulation Resistance	≥ 5 GΩ	
Center Contact Resistance	≤ 1 mΩ	
Outer Contact Resistance	≤ 0.25 mΩ	
Working Voltage (at sea level)	500 V rms	
Power handling (at 20 °C, sea level, VSWR 1.0)	1000 W @ 1GHz	700 W @ 2GHz

-VSWR in application depends decisive on PCB layout or cavity design-

### Material And Plating

Piece Parts	Material	Plating
Centre contact	Beryllium Copper	Gold plating (Non-magnetic nickel-phosphorus underplating)
Body	Brass	Copper-Tin-Zinc Alloy
Insulator	PTFE	

N Jack (Female) Connector, Solder Attachment, 4-Hole Flange Mount, Solder Cup Terminal, 18.24 mm (.718 in) Hole Spacing, DC-11 GHz, VSWR 1.30

## N2GFB50-2370A / 94

### Mechanical Data

Coupling mechanisms	Screw-On
Mating Cycles	≥ 500
Centre Contact	Soldered
Terminal Type	Solder cup
Captivated Type	Mechanical
Coupling Test Torque	max. 1.7 Nm
Recommended Torque	1.0 Nm

### Environmental Data

Temperature Range	-65°C to +165°C
Thermal shock	MIL-STD-202, Meth. 107, Cond. B
Corrosion	MIL-STD-202, Meth. 101, Cond. B
Vibration	MIL-STD-202, Meth. 204, Cond. B
Shock	MIL-STD-202, Meth. 213, Cond. I
Moisture Resistance	MIL-STD-202, Meth. 106
RoHS	compliant

### Packing

Single or 100